

T-Nailer



NT64
(1664)

Specification	
Length	298mm
Height	260mm
Wide	76mm
Weight	1.7kgs
Load Capacity	100 nails
Operating Pressure	80-110 psi
Trigger Type	Single Fire and Consecutive Driving Of Nails

Applicable Fastener Size	
Gauge	16
Nail Length (inch)	19 mm (3/4")~64mm(2-1/2")
Width x Thickness	1.60mm x 1.40mm

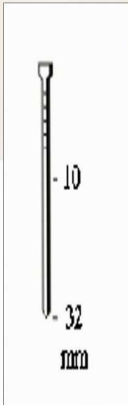


Applications:

Light Furniture, Cabinet assembly
Trim and molding, Light Framing,
Underlayment flooring,
Insulative Sheathing Paneling

Feature:

- * Convenient depth of drive dial allows precise brad settings
- * Quick release nose cover provides easy access for clearing jams
- * Adjustable exhaust cover



1832

Specification	
Length	248mm
Height	203mm
Wide	51mm
Weight	0.98kgs
Load Capacity	100 nails
Operating Pressure	70-100 psi

Applicable Fastener Size	
Gauge	18
Nail Length (inch)	10 mm (3/8")~32mm(1-1/4")
Width x Thickness	1.25mm x 1.00mm

Applications:

Rattern Manufacturers, Plastic and Wood,
Overlays, Picture Frame, Sash and Door Moldings,
Cabinet Manufacturers

1850

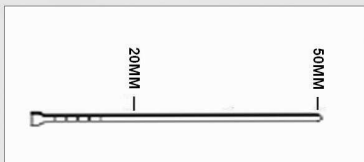
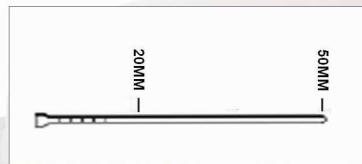


Specification	
Length	230mm
Height	235mm
Wide	51mm
Weight	1.2kgs
Load Capacity	100 nails
Operating Pressure	70-100 psi

Applicable Fastener Size	
Gauge	18
Nail Length (inch).	19 mm (3/4")~50mm(2")
Width x Thickness	1.25mm x 1.00mm

Applications:

Rattern Manufacturers, Plastic and Wood, Overlays, Picture Frame, Sash and Door Moldings, Cabinet Manufacturers



LT50

(1650)

Specification	
Length	265mm
Height	240mm
Wide	51mm
Weight	1.3kgs
Load Capacity	100 nails
Operating Pressure	70-100 psi

Applicable Fastener Size	
Gauge	16
Nail Length (inch).	19 mm (3/4")~50mm(2")
Width x Thickness	1.60mm x 1.40mm

Applications:

Rattern Manufacturers, Plastic and Wood, Overlays, Picture Frame, Sash and Door Moldings, Cabinet Manufacturers

T-Nailer



2564

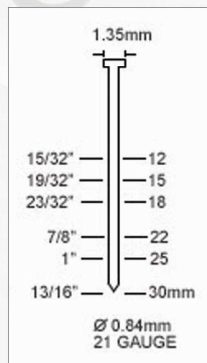
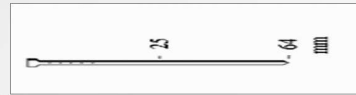
(Concrete nailer)

Specification	
Length	298mm
Height	273mm
Wide	95mm
Weight	2.5kgs
Load Capacity	80 nails
Operating Pressure	70-100 psi

Applicable Fastener Size	
Wire Dia. (inch)	2.2mm(0.087")~2.5mm(0.098")
Nail Length (inch)	15 mm (5/8")~64mm(2-1/2")

Applications:

- Architectural woodworking,
- Wood to concrete fastening,
- Light-gauge metal piercing
- Plywood assembly, Decking, Sash, Pallets
- Tongue & groove flooring



Specification	
Length	197mm
Height	171mm
Wide	38mm
Weight	0.95kgs
Load Capacity	100 nails
Operating Pressure	70-100 psi

Applicable Fastener Size	
Gauge	23
Nail Length (inch)	12 mm (0.472")~30mm(1.181")
Shank Dia. (inch)	0.64mm (0.025")



P630

Applications:

- Light furniture, Cabinet assembly, Light trim,
- Panelling and molding, Furniture upholstery, Footwear
- Carpet and padding, Mirror and picture frame assembly

Feature:

- * Convenient side loading magazine without any adjustment
- * Durable driver unit for long term use
- * Long nose for easy aiming

PT630

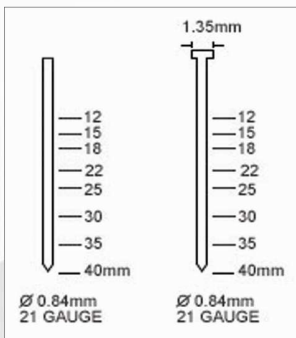
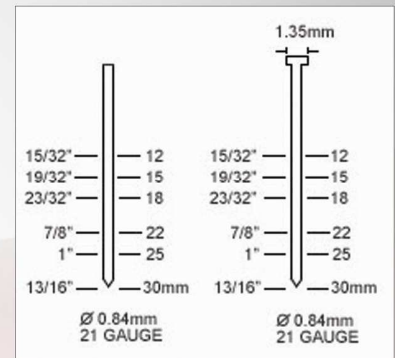


Specification

Length	197mm
Height	171mm
Wide	38mm
Weight	0.95kgs
Load Capacity	100 nails
Operating Pressure	70-100 psi

Applicable Fastener Size

Gauge	23
Nail Length (inch)	12 mm (0.472")~30mm(1.181")
Shank Dia. (inch)	0.64mm (0.025")



Specification

Length	197mm
Height	171mm
Wide	38mm
Weight	1.2kgs
Load Capacity	100 nails
Operating Pressure	70-100 psi

Applicable Fastener Size

Gauge	21
Nail Length (inch)	12 mm (0.472")~40mm(1.575")
Shank Dia.	0.84mm (0.033")



Applications:

Light furniture, Cabinet assembly, Light trim, Panelling and molding, Furniture upholstery, Footwear Carpet and padding, Mirror and picture frame assembly

PT840

Feature:

- * Convenient side loading magazine without any adjustment
- * Durable driver unit for long term use
- * Long nose for easy aiming

T-Nailer



PT635



Specification	
Length	201mm
Height	200mm
Wide	45mm
Weight	1kgs
Load Capacity	100 nails
Operating Pressure	70-100 psi

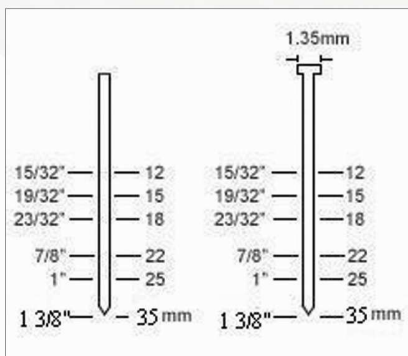
Applicable Fastener Size	
Gauge	23
Nail Length (inch)	12 mm (1/2")~35mm(1-3/8")
Shank Dia. (inch)	0.64mm (0.025")

Applications:

Light furniture, Cabinet assembly, Light trim,
Panelling and molding, Furniture upholstery, Footwear
Carpet and padding, Mirro and picture frame assembly

Feature:

- * Convenient side loading magazine without any adjustment
- * Durable driver unit for long term use
- * Long nose for easy aiming





PT650

Specification	
Length	201mm
Height	229mm
Wide	45mm
Weight	1.3kgs
Load Capacity	100 nails
Operating Pressure	70-100 psi

Applicable Fastener Size	
Gauge	23
Nail Length (inch)	12 mm (1/2")~50mm(2")
Shank Dia. (inch)	0.64mm (0.025")

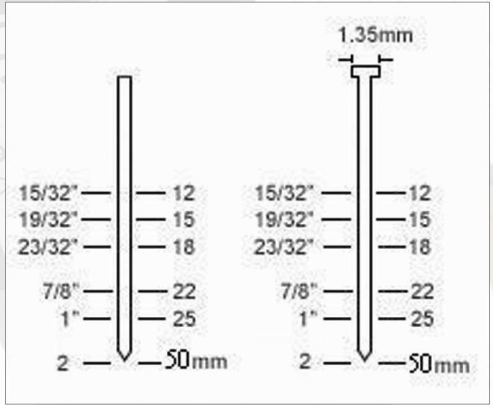


Applications:

Light furniture, Cabinet assembly, Light trim,
 Panelling and molding, Furniture upholstery, Footwear
 Carpet and padding, Mirro and picture frame assembly

Feature:

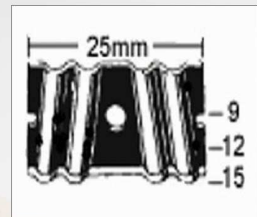
- * Convenient side loading magazine without any adjustment
- * Durable driver unit for long term use
- * Long nose for easy aiming



Corrugated Fastener Tool

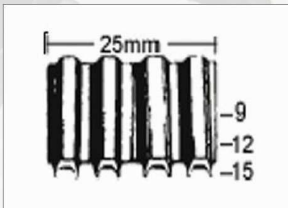
CF15AA

CF15AP



Feature:

- * Fasteners for CF15AA equivalent to fasteners for SENCO, NIKEMA, ATRO, HAUBOLD, SPOTNAILS
- * Fasteners for CF15AP equivalent to fasteners for PASLODE GC-20
- * Quick release nose cover provides easy access for clearing jams
- * Adjustable exhaust cover
- * Slide-in insert to adjust the different lengths of fasteners
- * Anti-double shot machine



Specification

Length	280mm
Height	290mm
Wide	85mm
Weight	2.75kgs
Load Capacity	100 fastener
Operating Pressure	100-120 psi
Trigger Type	Single Fire
Magazine Loaded	Bottom Loading Magazine

Applicable Fastener Size

Nail Shank	25.4mm
Nail Length (inch)	9 mm (3/8"), 12mm (1/2"), 15mm(5/8")
Crown Size (inch)	25mm (1")

Applications:

Picture, Mirror, Door and Window Frames Assembly

MCF15



Specification

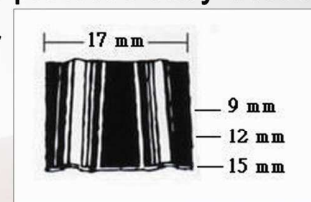
Length	280mm
Height	290mm
Wide	85mm
Weight	2.75kgs
Load Capacity	100 fastener
Operating Pressure	100-120 psi
Trigger Type	Single Fire
Magazine Loaded	Bottom Loading Magazine

Applications:

Picture, Mirror, Door and Window Frames Assembly

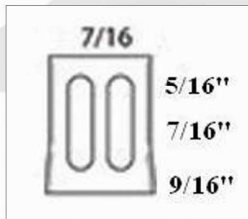
Feature:

- * Quick release nose cover provides easy access for clearing jams
- * Adjustable exhaust cover



Applicable Fastener Size

Nail Shank	17mm(0.669")
Nail Length (inch)	9 mm (3/8") ,12mm(1/2") ,15mm(5/8")



Specification

Length	240mm
Height	260mm
Wide	60mm
Weight	1.46kgs
Load Capacity	200 fastener
Operating Pressure	90-110 psi
Trigger Type	Single Fire
Magazine Loaded	Bottom Loading Magazine

Applicable Fastener Size

Nail Shank	12mm(0.472")
Nail Length (inch)	6 mm (1/5")~16mm(3/5")

Applications:

Picture, Mirror, Door and Window Frames Assembly

Feature:

- * Quick release nose cover provides easy access for clearing jams
- * Adjustable exhaust cover
- * Fasteners for SCF16 equivalent to SENCO

SCF16